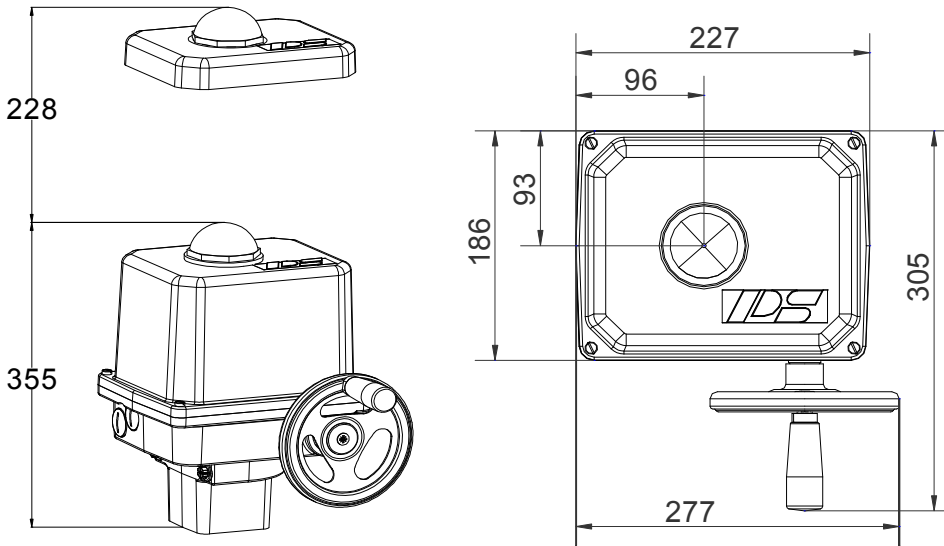


# Intelligent Quarter-Turn Actuator



Approx. weight: 13 kg without accessories

PSQ203

AMS1x

Positioner  
integrated

125-250 Nm  
Switching torque  
Modulating torque max. 125 Nm )<sup>1</sup>

16 s - 120 s  
Op. Time/90°

Flange  
F07 / F10

Modulating Actuator  
Class C  
acc. EN 15714-2

Enclosure IP67  
nach EN 60529

Operating Time/90°	60 - 120 s (adjustable)			
Power Supply [V]	230 VAC 1~	115 VAC 1~	24 VAC/DC	360...460 VAC 3~
Nominal Current [A]	0.24	0.48	2.3(AC) / 1.4(DC)	0.17 ) <sup>3</sup>
Maximum Current [A]	0.31	0.62	3(AC) / 1.9(DC)	0.2 ) <sup>3</sup>
Power Consumption ) <sup>2</sup> [W]	41	41	38(AC) / 34(DC)	45 ) <sup>3</sup>

PSQ203  
AMS11

Operating Time/90°	16 - 32 s (adjustable)			
Power Supply [V]	230 VAC 1~	115 VAC 1~	24 VAC/DC	360...460 VAC 3~
Nominal Current [A]	0.59	1.2	5.6(AC) / 3.5(DC)	0.42 ) <sup>3</sup>
max. Current [A]	0.76	1.5	7.3(AC) / 4.6(DC)	0.5 ) <sup>3</sup>
Power Consumption ) <sup>2</sup> [W]	115	115	108(AC) / 84(DC)	110 ) <sup>3</sup>

PSQ203  
AMS12

Standard	Description
Ambient Temperature [°C]	-20 to +60 °C
Motor Protection	electronic motor current monitoring with safety cut-off
Overvoltage category	II
Break away force	adjustable up to +50% nominal force
Duty Cycle IEC 60034-1,8	S2 30 min S4 50% ED @ 25°C
Set value and Feedback	current 0 (4)... 20 mA, voltage 0 (2)... 10 V adjustable, split-range operation possible
Binary control	24 V - 230 V for ON/OFF control (min. duration of pulse 1s)
Valve Positioner Function	deadband adjustable from 0.5 .. 5%, shut-off minimum at torque switching
Automatic Start-up	Recognizing the end position(s) and autoscaling set and feedback values
Internal Fault Monitoring	Torque, set value, temperature, power supply, deviation of end positions, adjustable actions and signalisation
Diagnostics Function	Stores number of motor starts, motor and total running time. Rolling data storage of set value, feedback value, torque, temperature and status
Communication Interface	for parametrisation and diagnosis with USB data cable and software PSCS
Cable Glands	2 threaded holes ISO M20 x 1,5 (cable glands are not included)

Standard Equipment

)<sup>1</sup> = Permissible average torque for a travel of 90°

)<sup>2</sup> = at nominal force

)<sup>3</sup> = at 400 V 3 phases and 50 Hz

)<sup>4</sup> = Data can change depending on accessories

)<sup>5</sup> = at switching torque, data can change depending on accessories

