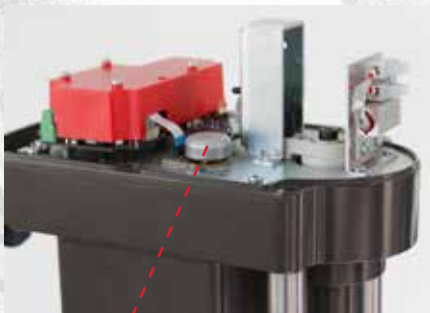


The linear actuator with mechanical fail safe function



Contactless, non-wearing travel detection with Hall sensor for exact positioning



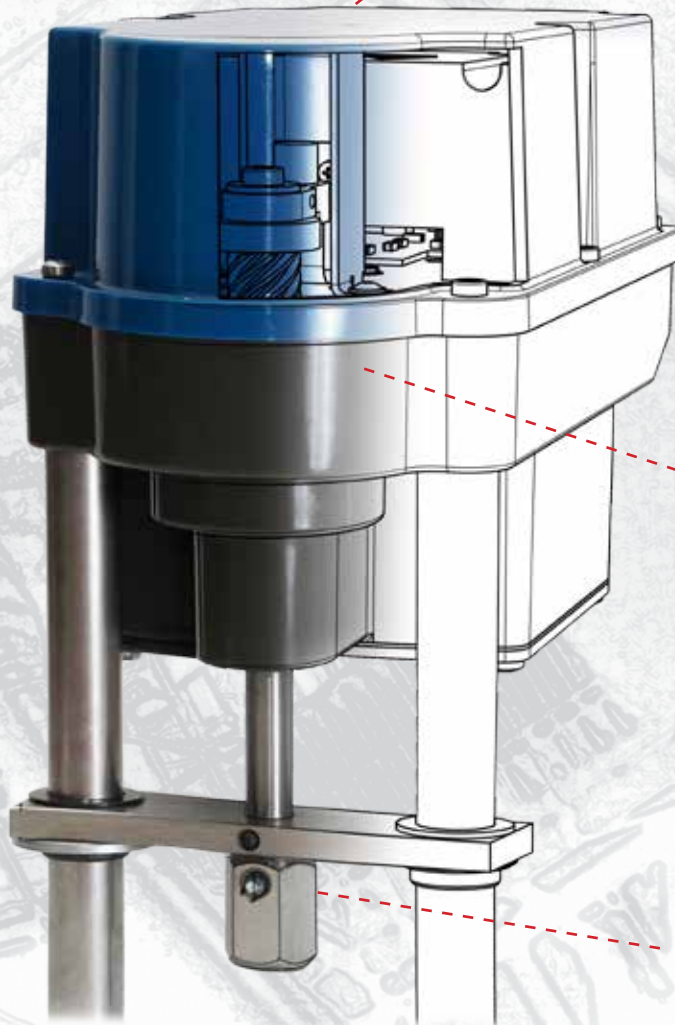
Brushless DC motor (BLDC). Controller with integrated positioner function. Status display and automatic commissioning



Manual operation with push buttons. Parameter setting via DIP switches



Integrated power spring for fail safe function in case of loss of power supply, either extending or retracting actuator stem



Robust industrial design with polycarbonate cover, enclosure rating IP65 (IP67 optional)

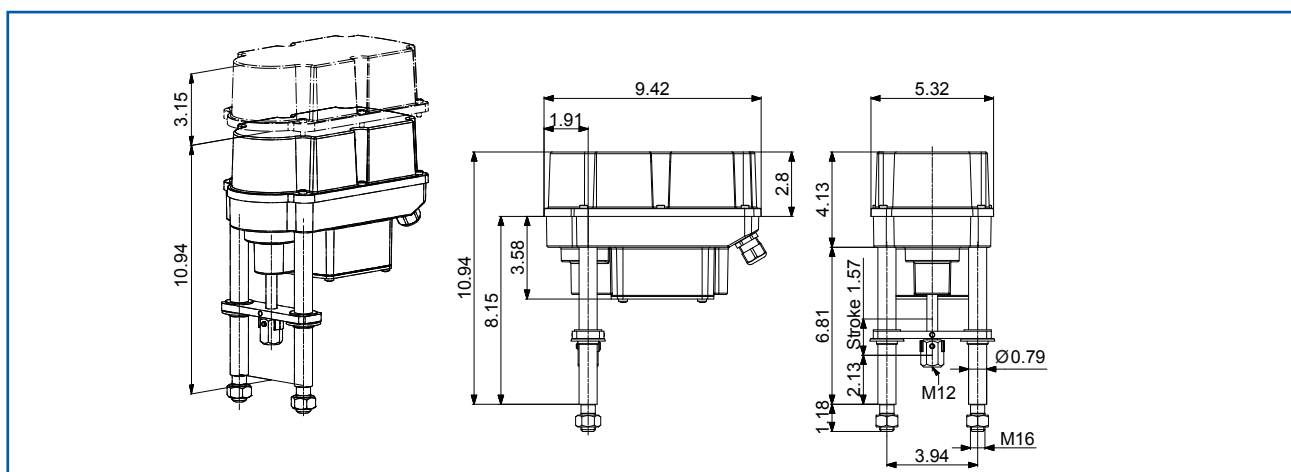
Compact design with low installation height, durable aluminium gearbox

Easy valve mounting

Technical Data

		PSF401	PSF402
Thrust	lbf	224	455
Stroke	in.		max. 1.57
Pillar distance	in.		3.94
Manual override		electrically via 2 push buttons	
Weight approx.	lb		12.35
Stroke speed	secs/in.		84.7
Power supply		24 VAC/DC, optionally wide range power supply (100 - 240 VAC)	
Motor protection		Electronic motor current monitoring with safety cut-off	
Duty cycle as per IEC 60034-1,8		S2 30 min / S4 1200c/h - 50% ED	
Permitted ambient temperature		14°F to 140°F	
Internal fault monitoring		Thrust, control signal, temperature, power supply	
Binary control		24 - 230 VAC for ON/OFF service	
Control signal and feedback		0-20 mA, 4-20 mA, 0-10 V, 2-10 V selectable	
Mounting position		Any position, except cover pointing downwards	
Conduit entries		2 pcs. M 20 x 1.5 / 1 pc. M 16 x 1.5	
Enclosure rating acc. to EN 60529		IP65 (IP67 optional)	
Cover material		Polycarbonate	
Gear case material		High quality aluminium die casting, powder-coated (60 µm thickness)	
Pillar material		Steel 1.4104	

Dimensional Data



PS Automation GmbH

Philipp-Krämer-Ring 13 • D-67098 Bad Dürkheim
+49 (0) 6322-94980-0 • info@ps-automation.com
www.ps-automation.com

Engineered and Made in Germany

