

Linear Actuator with Fail-Safe Function

PSF-M

Manual Override

449 lbf

Max. Thrust)¹

42.3 / 28.2 / 21.2 Secs/In.
50.8 / 33.9 / 25.4 Sec/In.
Stroke Speed

0.19 - 1.57 In.

Stroke

**Positioner
integrated**

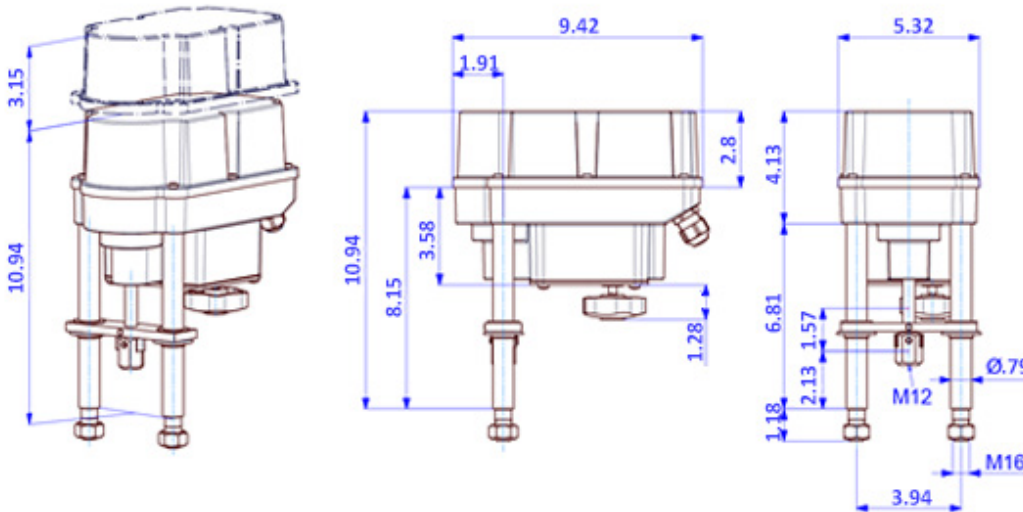
Modulating Actuator

Class C

acc. EN ISO 22153

Enclosure IP65

EN 60529



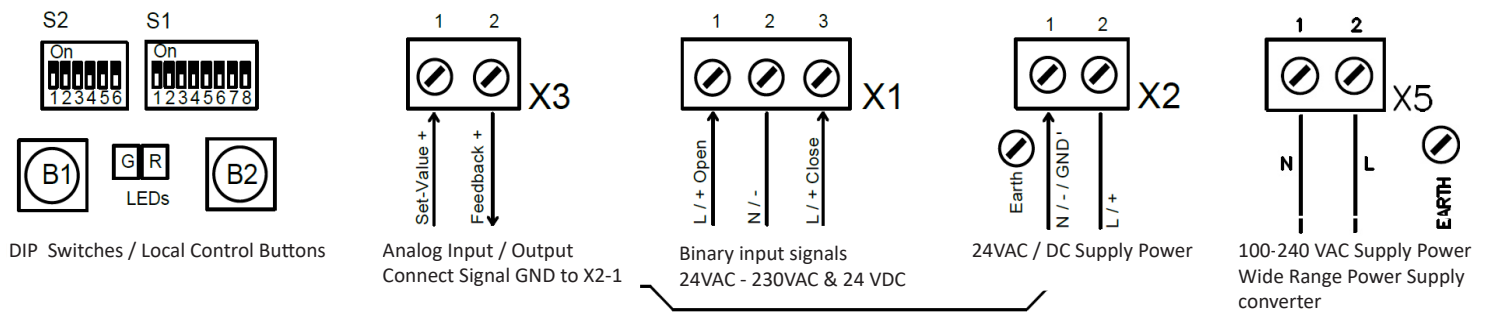
Approx. weight: 11.3 lb without accessories

Stroke Speed	42.3 / 28.2 / 21.2 Secs/In. (adjustable)		PSF-M401 1 kN
Power Supply [V]	100-240 VAC 1~	24 VAC/DC	
Frequency [Hz]	50 - 60	50 - 60 / -	
Nominal Current [A]	0.07 - 0.14	0.7 / 0.35	
Maximum Current [A]	0.07 - 0.14	0.7 / 0.35	
Power Consumption) ² [W]	9	9 / 8	
Duty Cycle IEC 60034-1,8	S2 30 min / S4 50% ED - 1200c/h		
Stroke Speed	50.8 / 33.9 / 25.4 Sec/In. (adjustable)		PSF-M402 2 kN
Power Supply [V]	100-240 VAC 1~	24 VAC/DC	
Frequency [Hz]	50 - 60	50 - 60 / -	
Nominal Current [A]	0.1 - 0.2	0.9 / 0.45	
Maximum Current [A]	0.1 - 0.2	0.9 / 0.45	
Power Consumption) ² [W]	12	12 / 10	
Duty Cycle IEC 60034-1,8	S2 30 min / S4 50% ED - 1200c/h		
Standard	Description		Standard Equipment
Ambient Temperature [°C]	14°F to 140°F		
Motor Protection	electronic motor current monitoring with safety cut-off		
Overvoltage Category	II		
Set Value and Feedback	0-20 mA, 4-20 mA, 0-10 V, 2-10 V selectable		
Binary Control	24 - 230 VAC & 24 VDC for ON/OFF service		
Valve Positioner Function	integrated, deadband 0.6% of full signal range, shut-off minimum		
Automatic Start-up	Recognizing the end position(s) and autoscaling set and feedback values		
Internal Fault Monitoring	thrust, control signal, temperature, power supply		
Cable Glands	2 pcs. M 20 x 1.5 / 1 pc. M 16 x 1.5		

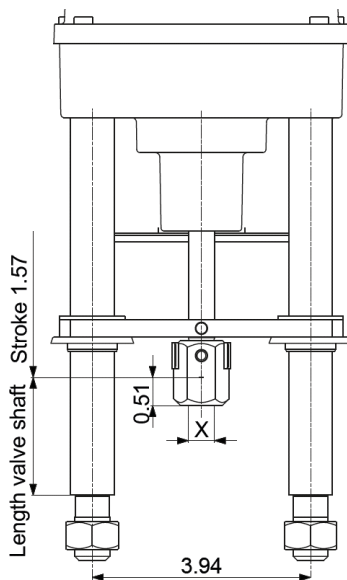
)¹ = permissible average force over the entire travel is 50% of the max. thrust

)² = at max. thrust

Wiring Diagram



Valve Connection

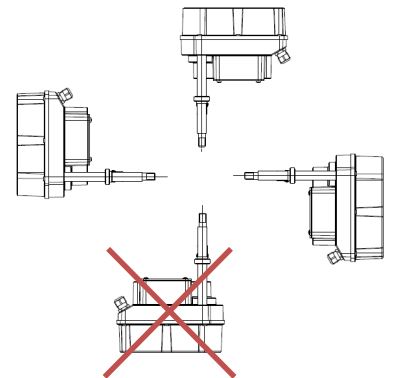


Connection Thread X

M8	Optional
M10	Optional
M12	Standard

Fine threads and other sizes on request!

Mounting Position



Accessories/ Options	Add'l Position Switches, mechanical	2WE	2 potential-free position switches, mechanical, with silver changeover contacts (0.1 A - 5 A switching current)
	Add'l Position Switches Gold	2WE Gold	2 potential-free position switches, mechanical, with gold changeover contacts (0.1 mA - 100 mA switching current)
	Position Signal Relays		2 position signal relays with changeover contacts, calibrated automatically to valve stroke 24 V to 230 V AC/DC @ 0.1 A - 1 A Switching point adjustable 0-100 % of the stroke using potentiometers
	Heating Resistor	HR	Heating resistor to prevent condensation
	Wide Range Power Supply		100 - 240 VAC 1~
	Increased Enclosure	IP	Increase of enclosure to IP67

For more information and accessories, please visit our website www.ps-automation.com!