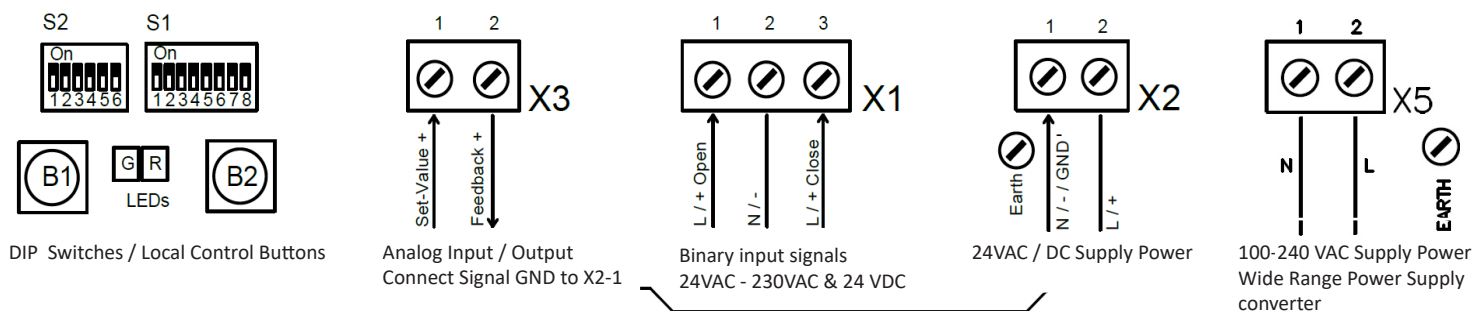
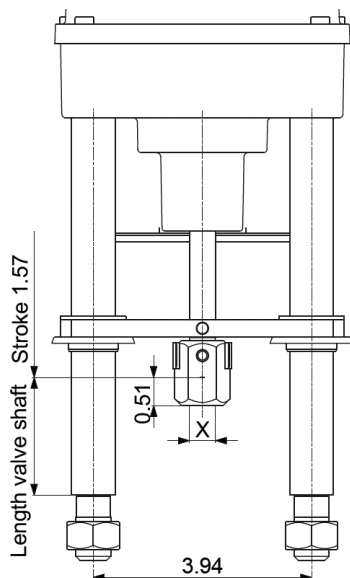




Wiring Diagram



Valve Connection

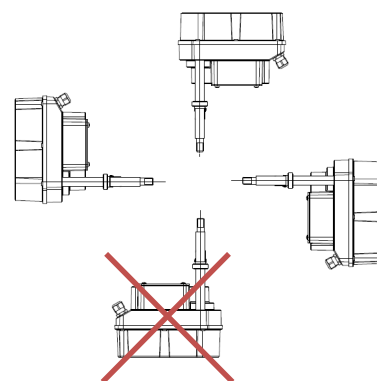


Connection Thread X

M8	Optional
M10	Optional
M12	Standard

Fine threads and other sizes on request!

Mounting Position



<b>Accessories/ Options</b>	Add'l Position Switches, mechanical	2WE	2 potential-free position switches, mechanical, with silver changeover contacts (0.1 A - 5 A switching current)
	Add'l Position Switches Gold	2WE Gold	2 potential-free position switches, mechanical, with gold changeover contacts (0.1 mA - 100 mA switching current)
	Position Signal Relays		2 position signal relays with changeover contacts, calibrated automatically to valve stroke 24 V to 230 V AC/DC @ 0.1 A - 1 A Switching point adjustable 0-100 % of the stroke using potentiometers
	Heating Resistor	HR	Heating resistor to prevent condensation
	Wide Range Power Supply		100 - 240 VAC 1~
	Increased Enclosure	IP	Increase of enclosure to IP67

For more information and accessories, please visit our website [www.ps-automation.com](http://www.ps-automation.com)!