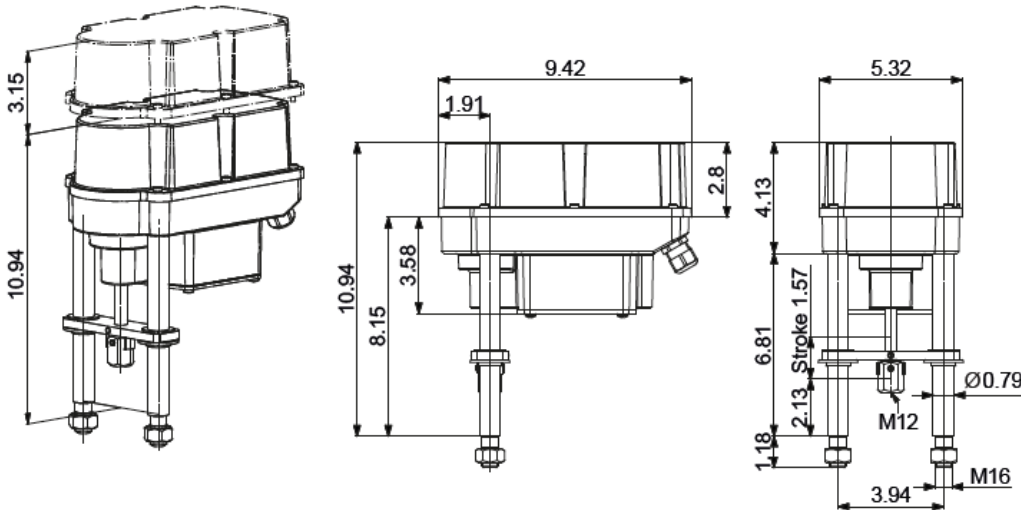


# Linear Actuator with Fail-Safe Function

PSF

Spring-Fail Model



**449 lbf**  
Max. Thrust )<sup>1</sup>

**28.2 Secs/In.**  
Stroke Speed

**0.19 - 1.575 In.**  
Stroke

**Positioner  
integrated**

Modulating Actuator

**Class C**

acc. EN ISO 22153

**Enclosure IP65**  
EN 60529

*Approx. weight: 12.35 lb without accessories*

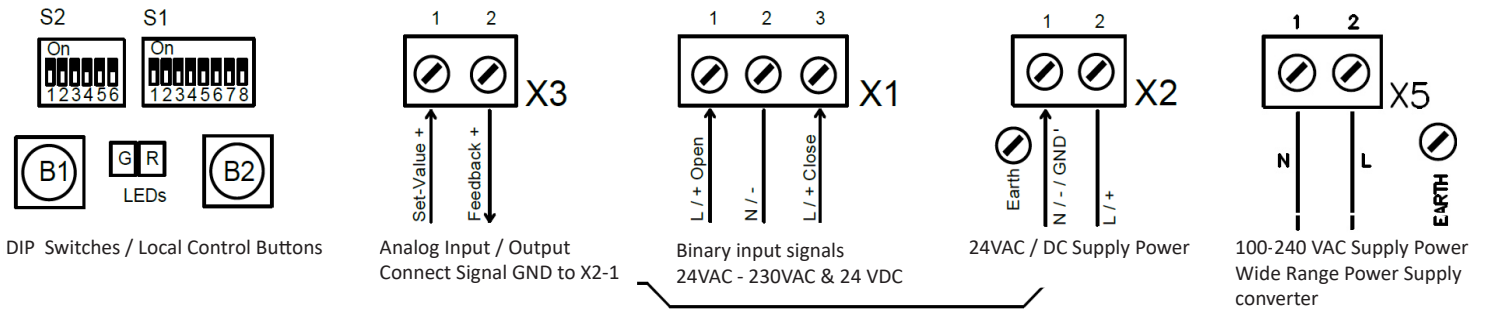
Stroke Speed		28.2 Secs/In. (motor operation)   23 Secs/In. (failsafe operation) ) <sup>3</sup>		PSF402.1 449 lbf
Power Supply	[V]	100-240 VAC 1~	24 VAC/DC	
Frequency	[Hz]	50 - 60	50 - 60	
Nominal Current	[A]	0.13 - 0.25	1.1 / 0.55	
Maximum Current	[A]	0.13 - 0.25	1.1 / 0.55	
Power Consumption ) <sup>2</sup>	[W]	15	15 / 13	
Duty Cycle	IEC 60034-1,8	S2 30 min / S4 50% ED - 1200c/h		
Standard	Description			Standard Equipment
Ambient Temperature	[°C]	14°F to 140°F		
Motor Protection		electronic motor current monitoring with safety cut-off		
Overvoltage Category		II		
Set Value and Feedback		0-20 mA, 4-20 mA, 0-10 V, 2-10 V selectable		
Binary Control		24 - 230 VAC & 24 VDC for ON/OFF service		
Valve Positioner Function		integrated, deadband 0.6% of full signal range, shut-off minimum		
Automatic Start-up		Recognizing the end position(s) and autoscaling set and feedback values		
Internal Fault Monitoring		thrust, control signal, temperature, power supply		
Cable Glands		2 pcs. M 20 x 1.5 / 1 pc. M 16 x 1.5		
Fail-Safe Operating Direction		Spring Extend (SE) - Spring extends actuator stem <b>or</b> Spring Retract (SR) - Spring retracts actuator stem		

)<sup>1</sup> = permissible average force over the entire travel is 50% of the max. thrust

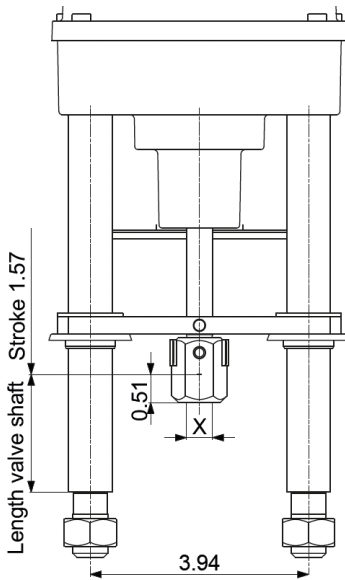
)<sup>2</sup> = at max. thrust

)<sup>3</sup> = stroke speed +/- 10%

Wiring Diagram



Valve Connection

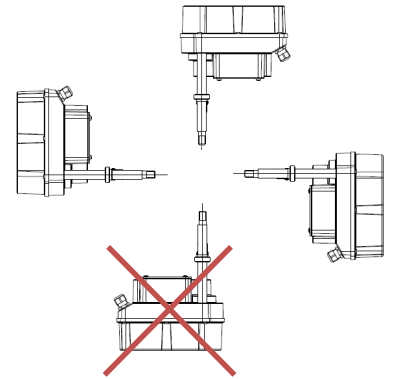


Connection Thread X

M8	Optional
M10	Optional
M12	Standard

Fine threads and other sizes on request!

Mounting Position



<b>Accessories/ Options</b>	Add'l Position Switches, mechanical	2WE	2 potential-free position switches, mechanical, with silver changeover contacts (0.1 A - 5 A switching current)
	Add'l Position Switches Gold	2WE Gold	2 potential-free position switches, mechanical, with gold changeover contacts (0.1 mA - 100 mA switching current)
	Position Signal Relays		2 position signal relays with changeover contacts, calibrated automatically to valve stroke 24 V to 230 V AC/DC @ 0.1 A – 1 A Switching point adjustable 0-100 % of the stroke using potentiometers
	Heating Resistor	HR	Heating resistor to prevent condensation
	Wide Range Power Supply		100 - 240 VAC 1~
	Increased Enclosure	IP	Increase of enclosure to IP67

For more information and accessories, please visit our website [www.ps-automation.com](http://www.ps-automation.com)!