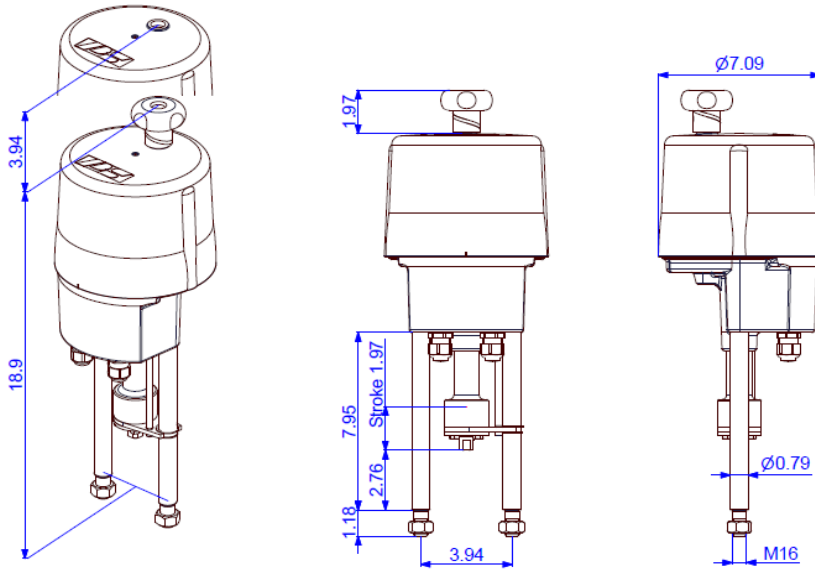


Electric Linear Actuator

PSL204 -40°F
Low Temperature Version



Approx. weight: 9.9 lb without accessories

1 011.6 lbf
Max. Thrust)¹

18.14 - 50.8 Secs/In.
Stroke Speed

max. 1.97 In.
Stroke

Modulating Actuator
Class C
DIN EN ISO 22153

Enclosure IP65
EN 60529

Stroke Speed	50.8 Secs/In. [50 Hz] / 42.3 Secs/In. [60 Hz]				
Power Supply [V]	230 VAC 1~	115 VAC 1~	24 VAC 1~	400 V 3~	24 VDC
Frequency [Hz]	50 / 60	50 / 60	50 / 60		
Nominal Current [A]	0.08	0.17	0.79		
Max. Current [A]	0.08	0.2	0.95		
Power Consumption) ² [W]	18	19	19		
Duty Cycle as per IEC 60034-1	S2 30 min / S4 80% ED @ 77°F				
Ambient Temperature [°F]	-40°F to +140°F				
Overvoltage Category	II				
Motor Protection	Thermo switch				

PSL204

Stroke Speed	18.14 Secs/In. [50 Hz] / 14.9 Secs/In. [60 Hz]				
Power Supply [V]	230 VAC 1~	115 VAC 1~	24 VAC 1~	400 V 3~	24 VDC
Frequency [Hz]	50 / 60	50 / 60	50 / 60	50 / 60	
Nominal Current [A]	0.23	0.43	2.1	0.21	
Max. Current [A]	0.27	0.52	2.5	0.26	
Power Consumption) ² [W]	52	49	49	51	
Duty Cycle as per IEC 60034-1	S2 30 min / S4 50% ED @ 77°F				
Ambient Temperature [°F]	-40°F to +140°F				
Overvoltage Category	II				
Motor Protection	Thermo switch				

PSL204.1

Standard	Description
Conduit entries	2 pcs. M20 x 1,5

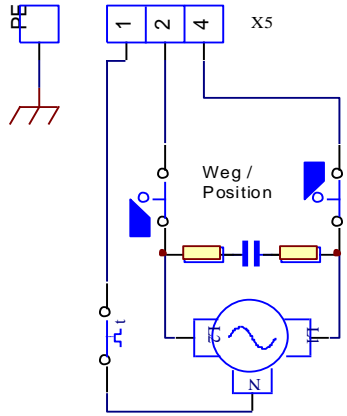
Standard equipment

)¹ = permissible average thrust over the entire travel is 50% of the max. thrust

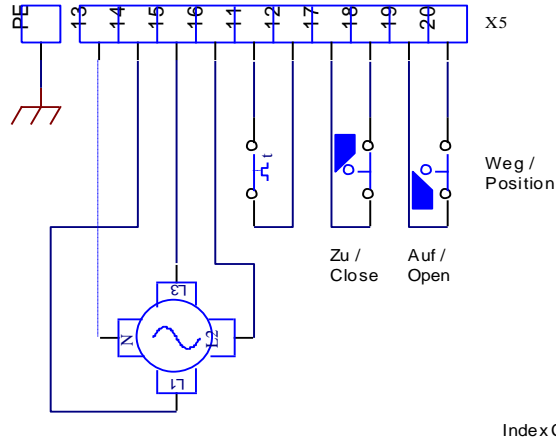
)² = at max. thrust

Wiring Termination

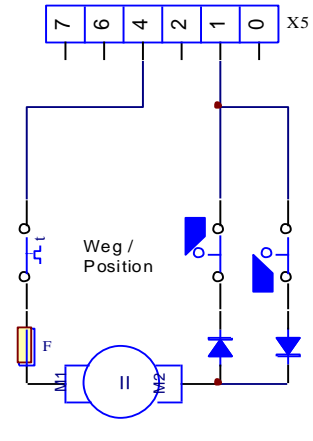
1-Phase A.C.



3-Phase A.C.

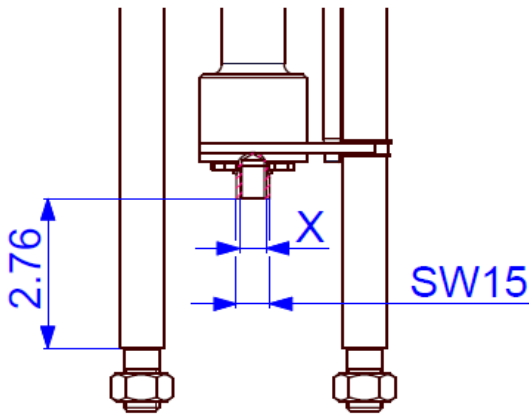


12 / 24V DC



Index C

Dimensions of the PS-Standard-Adaptation

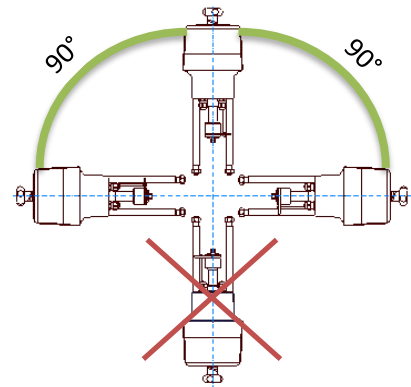


Connection Thread X

M8	Optional
M10	Optional
M12	Standard
M14	Optional
M16	Optional

Fine Threaded and other sizes on request!

Mounting Position



**Accessories/
Options**

Supply Voltage		230 VAC 1~	115 VAC 1~	24 VAC 1~	400 V 3~	24 VDC
Position Signal Switches 2WE		•	•	•	•	•
Position Signal Switches Gold		•	•	•	•	•
Positioner	PSAP	•	•	•) ³	•) ⁴	
Position Transmitter	PSPT	•	•	•	•	•
Space Heating	HR	•	•	•	•) ⁵	•
Potentiometer	PD	•	•	•	•	•
Reversing Starter Contactor	WSM01				•	
IP67 Metal Cover	IP67	Increase of enclosure to IP67				
IP68 Metal Cover	IP68	IP68) ⁶ incl. space heater HR				

For more information and accessories, please visit our website www.ps-automation.com!

• = available, for further information see respective datasheet

)³ = PSAP with external relay required

)⁴ = only to be used with reversing starter contactor

)⁵ = supply voltage 24 V or 115-230 V

)⁶ = IP68, no ingress of dust and suitable for continuous immersion in water up to 6 m and 96 h

Subject to changes!