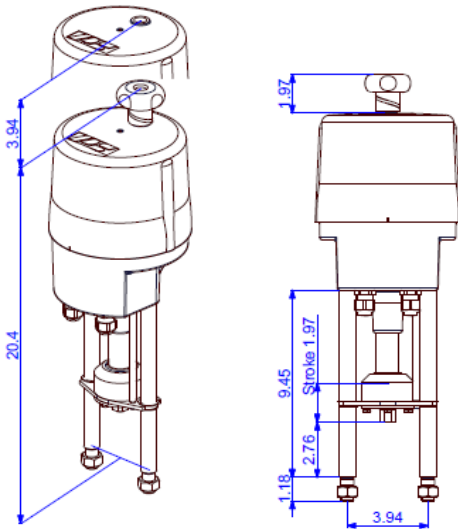


# Electric Linear Actuator

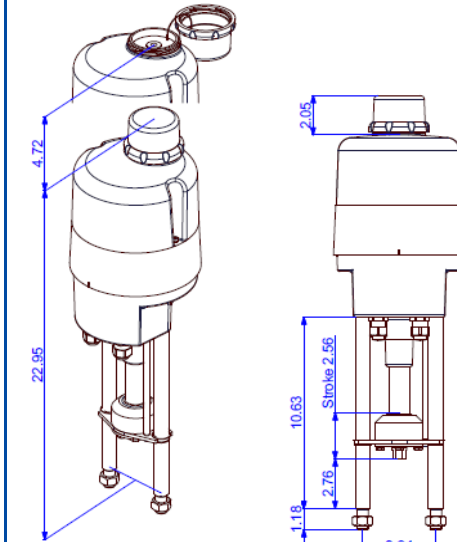
PSL208/210

Stroke 1.97 (IP65)



Approx. weight: 15.87 lb without accessories

Stroke 2.56 (IP67)



Approx. weight: 20.3 lb without accessories

1798/2248 lbf  
Max. Thrust<sup>1)</sup>

25.4 - 72.6 Secs/In.  
Stroke Speed

Stroke 1.97 In.  
opt. 2.56 In.

Modulating Actuator  
Class C  
DIN EN ISO 22153

Enclosure IP65  
EN 60529

Stroke Speed	39.1 Secs/In. [50 Hz] / 32.6 Secs/In. [60 Hz]				50.8 Secs/In.
Power Supply [V]	230 VAC 1~	115 VAC 1~	24 VAC 1~	400 V 3~	24 VDC
Frequency [Hz]	50 / 60	50 / 60	50 / 60	50 / 60	-
Nominal Current [A]	0.24	0.45	2.3	0.13	1.0
Max. Current [A]	0.3	0.54	2.8	0.15	2.5
Power Consumption ) <sup>2</sup> [W]	55	55	55	30	24
Duty Cycle as per IEC 60034-1	S2 30 min / S4 50% ED @ 77°F				
Ambient Temperature [°F]	-4°F to +176°F (S2) / -4°F to +140°F (S4)				
Overvoltage Category	II				
Motor Protection	Thermo switch				Multifuse

PSL208

Stroke Speed	25.4 Secs/In. [50 Hz] / 21.2 Secs/In. [60 Hz]				
Power Supply [V]	230 VAC 1~	115 VAC 1~	24 VAC 1~	400 V 3~	24 VDC
Frequency [Hz]	50 / 60	50 / 60	50 / 60	50 / 60	
Nominal Current [A]	0.28	0.52	2.5	0.2	
Max. Current [A]	0.34	0.63	3	0.23	
Power Consumption ) <sup>2</sup> [W]	64	59	59	47	
Duty Cycle as per IEC 60034-1	S2 30 min / S4 50% ED @ 77°F				
Ambient Temperature [°F]	-4°F to +176°F (S2) / -4°F to +140°F (S4)				
Overvoltage Category	II				
Motor Protection	Thermo switch				

PSL208.1

Stroke Speed	56.4 Secs/In. [50 Hz] / 47 Secs/In. [60 Hz]			72.6 Secs/In.	
Power Supply [V]	230 VAC 1~	115 VAC 1~	24 VAC 1~	400 V 3~	24 VDC
Frequency [Hz]	50 / 60	50 / 60	50 / 60		-
Nominal Current [A]	0.24	0.45	2.3		1
Max. Current [A]	0.3	0.54	2.8		2.5
Power Consumption ) <sup>2</sup> [W]	55	52	52		24
Duty Cycle as per IEC 60034-1	S2 30 min / S4 50% ED @ 77°F				see left
Ambient Temperature [°F]	-4°F to +176°F (S2) / -4°F to +140°F (S4)				see left
Overvoltage Category	II				II
Motor Protection	Thermo switch				Multifuse

PSL210

Standard	Description	Standard equipment
Conduit entries	2 pcs. M20 x 1,5	

<sup>1)</sup> = permissible average thrust over the entire travel is 50% of the max. thrust

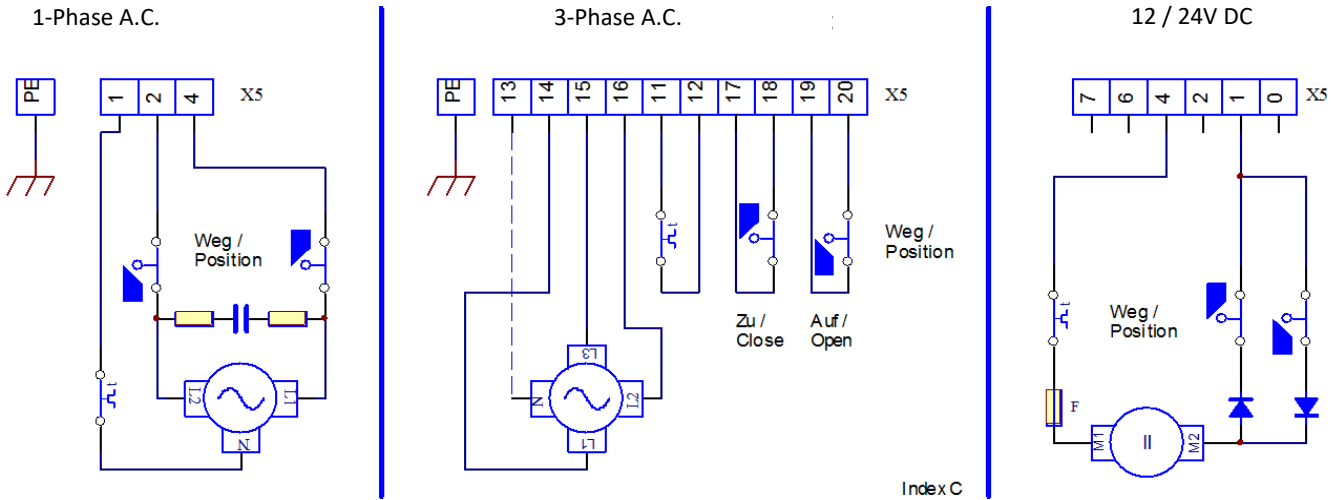


)<sup>2</sup> = at max. thrust

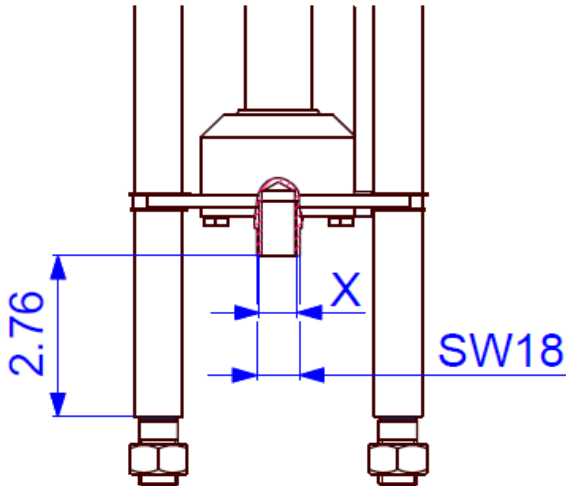
# PSL208/210

## Technical Data

### Wiring Termination



### Dimensions of the PS-Standard-Adaptation

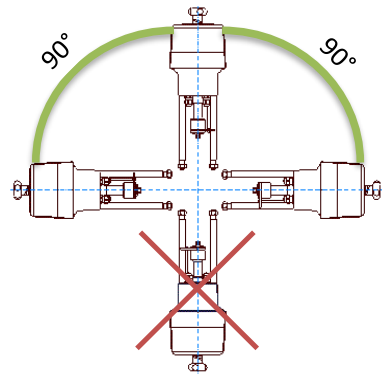


#### Connection Thread X

<b>M8</b>	Optional
<b>M10</b>	Optional
<b>M12</b>	Optional
<b>M14</b>	Optional
<b>M16</b>	<b>Standard</b>

*Fine threaded and other sizes on request!*

### Mounting Position



Accessories/ Options	Supply Voltage	230 VAC 1~	115 VAC 1~	24 VAC 1~	400 V 3~	24 VDC
	Position Signal Switches 2WE		•	•	•	•
Position Signal Switches Gold	Gold	•	•	•	•	•
Positioner	PSAP	•	•	•) <sup>3</sup>	•) <sup>4</sup>	
Position Transmitter	PSPT	•	•	•	•	•
Space Heating	HR	•	•	•	•) <sup>5</sup>	•
Potentiometer	PD	•	•	•	•	•
Reversing Starter Contactor	WSM01				•	
IP67 Metal Cover	IP67	Increase of enclosure to IP67				
IP68 Metal Cover	IP68	IP68) <sup>6</sup> incl. space heater HR				

For more information and accessories, please visit our website [www.ps-automation.com](http://www.ps-automation.com)!

• = available, for further information see respective datasheet

)<sup>3</sup> = PSAP with external relay required

)<sup>4</sup> = only to be used with reversing starter contactor

)<sup>5</sup> = supply voltage 24 V or 115-230 V

)<sup>6</sup> = IP68, no ingress of dust and suitable for continuous immersion in water up to 6 m and 96 h

*Subject to changes!*