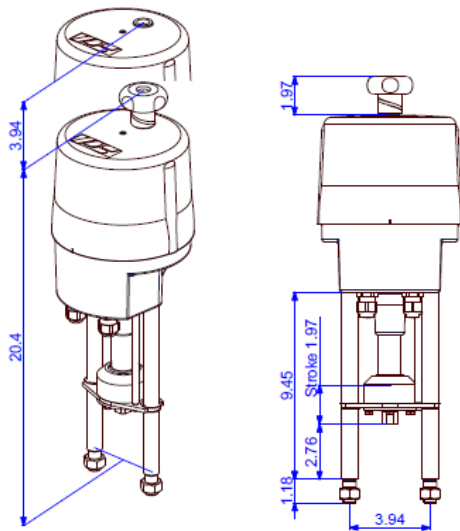


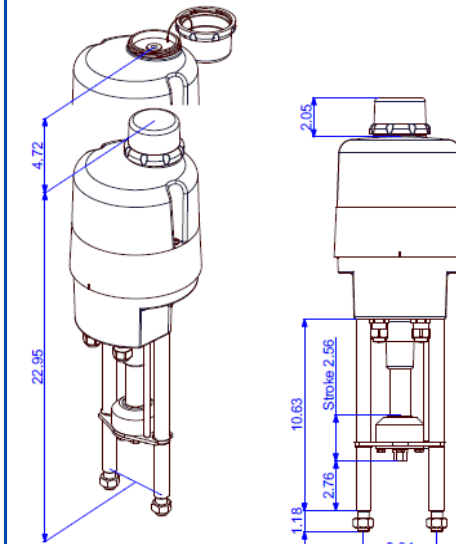
Electric Linear Actuator

Stroke 1.97 (IP65)



Approx. weight: 15.87 lb without accessories

Stroke 2.56 (IP67)



Approx. weight: 20.3 lb without accessories

1798/2248 lbf
Max. Thrust¹⁾

25.4 - 72.6 Secs/In.
Stroke Speed

Stroke 1.97 In.
opt. 2.56 In.

Modulating Actuator
Class C
DIN EN ISO 22153

Enclosure IP65
EN 60529

Stroke Speed	39.1 Secs/In. [50 Hz] / 32.6 Secs/In. [60 Hz]				
Power Supply [V]	230 VAC 1~	115 VAC 1~	24 VAC 1~	400 V 3~	24 VDC
Frequency [Hz]	50 / 60	50 / 60	50 / 60	50 / 60	
Nominal Current [A]	0.24	0.45	2.3	0.13	
Max. Current [A]	0.3	0.54	2.8	0.15	
Power Consumption) ² [W]	55	55	55	30	
Duty Cycle as per IEC 60034-1	S2 30 min / S4 50% ED @ 77°F				
Ambient Temperature [°F]	-40°F to +140°F				
Overvoltage Category	II				
Motor Protection	Thermo switch				

PSL208

Stroke Speed	56.4 Secs/In. [50 Hz] / 47 Secs/In. [60 Hz]				
Power Supply [V]	230 VAC 1~	115 VAC 1~	24 VAC 1~	400 V 3~	24 VDC
Frequency [Hz]	50 / 60	50 / 60	50 / 60		
Nominal Current [A]	0.24	0.45	2.3		
Max. Current [A]	0.3	0.54	2.8		
Power Consumption) ² [W]	55	52	52		
Duty Cycle as per IEC 60034-1	S2 30 min / S4 50% ED @ 77°F				
Ambient Temperature [°F]	-40°F to +140°F				
Overvoltage Category	II				
Motor Protection	Thermo switch				

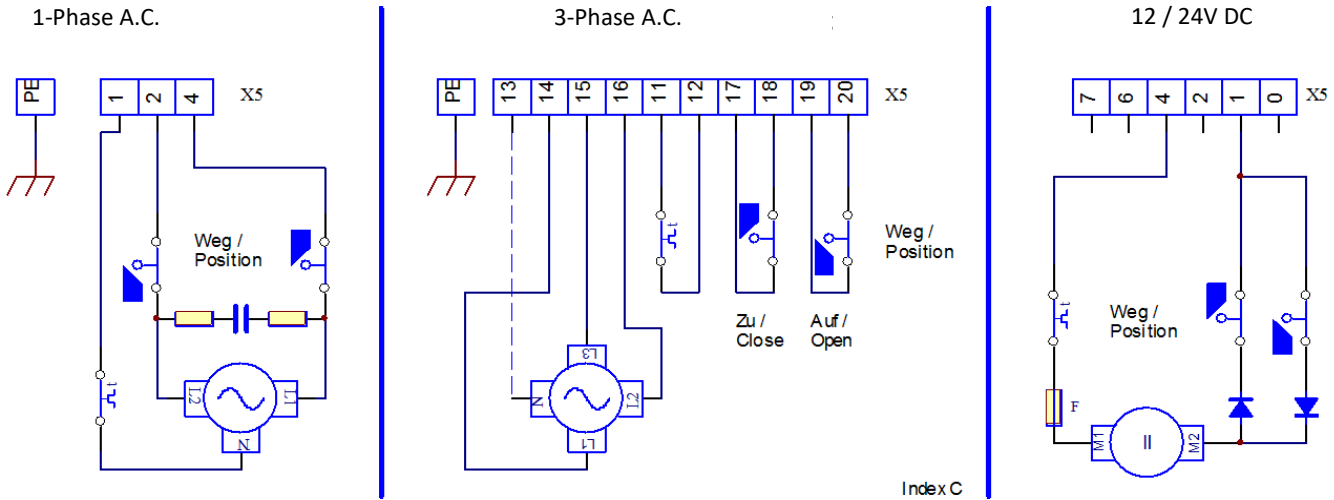
PSL210

Standard	Description
Conduit entries	2 pcs. M20 x 1,5

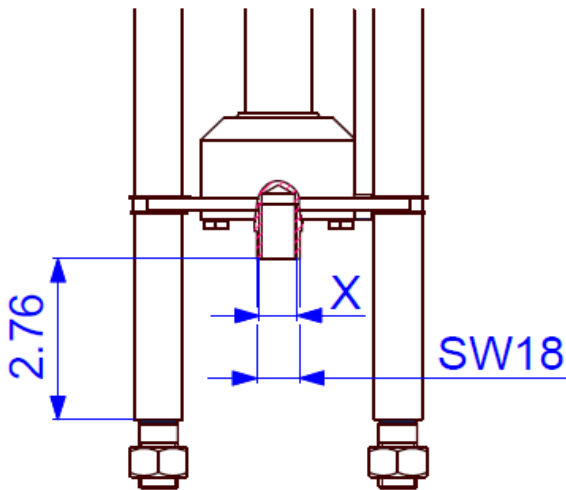
Standard equipment

¹⁾ = permissible average thrust over the entire travel is 50% of the max. thrust
²⁾ = at max. thrust

Wiring Termination



Dimensions of the PS-Standard-Adaptation

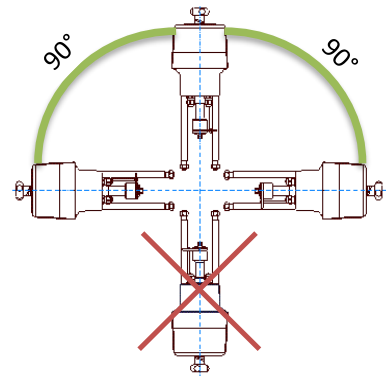


Connection Thread X

M8	Optional
M10	Optional
M12	Optional
M14	Optional
M16	Standard

Fine threaded and other sizes on request!

Mounting Position



Accessories/ Options	Supply Voltage	230 VAC 1~	115 VAC 1~	24 VAC 1~	400 V 3~	24 VDC
	Position Signal Switches 2WE		•	•	•	•
Position Signal Switches Gold	Gold	•	•	•	•	•
Positioner	PSAP	•	•	•) ³	•) ⁴	
Position Transmitter	PSPT	•	•	•	•	•
Space Heating	HR	•	•	•	•) ⁵	•
Potentiometer	PD	•	•	•	•	•
Reversing Starter					•	
Contactor	WSM01					
IP67 Metal Cover	IP67	Increase of enclosure to IP67				
IP68 Metal Cover	IP68	IP68) ⁶ incl. space heater HR				

For more information and accessories, please visit our website www.ps-automation.com!

• = available, for further information see respective datasheet

)³ = PSAP with external relay required

)⁴ = only to be used with reversing starter contactor

)⁵ = supply voltage 24 V or 115-230 V

)⁶ = IP68, no ingress of dust and suitable for continuous immersion in water up to 6 m and 96 h
Subject to changes!