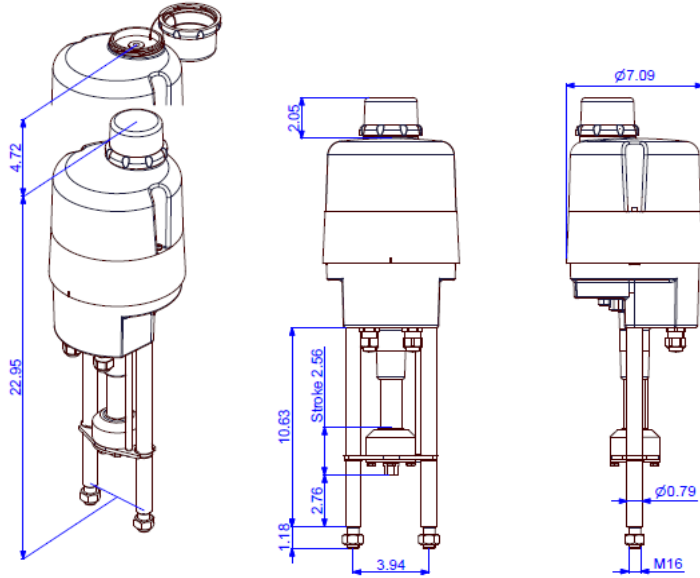


# Electric Linear Actuator

**PSL214**



**Approx. weight: 17.64 lb without accessories**

**3147 lbf**

Max. Thrust )<sup>1</sup>

**56.4 Secs/In.**

Stroke Speed

**2.56 In.**

Stroke

**Modulating Actuator**

Class C

DIN EN ISO 22153

**Enclosure IP67**

EN 60529

Stroke Speed	56.4 Secs/In. [50 Hz] / 47 Secs/In. [60 Hz]				
Power Supply [V]	230 VAC 1~	115 VAC 1~	24 VAC 1~	400 V 3~	24 VDC
Frequency [Hz]	50 / 60	50 / 60	50 / 60	50 / 60	-
Nominal Current [A]	0.24	0.45	2.3	0.13	1.5
max. Current [A]	0.3	0.54	2.8	0.15	2.5
Power Consumption ) <sup>2</sup> [VA]	55	52	52	30	93
Duty Cycle IEC 60034-1	S2 30 min / S4 50% ED @ 77°F				
Ambient Temperature [°F]	-4°F to +176°F (S2) / -4°F to +140°F (S4)				
Overvoltage Category	II				
Motor Protection	Thermo switch			Multifuse	

**PSL214**

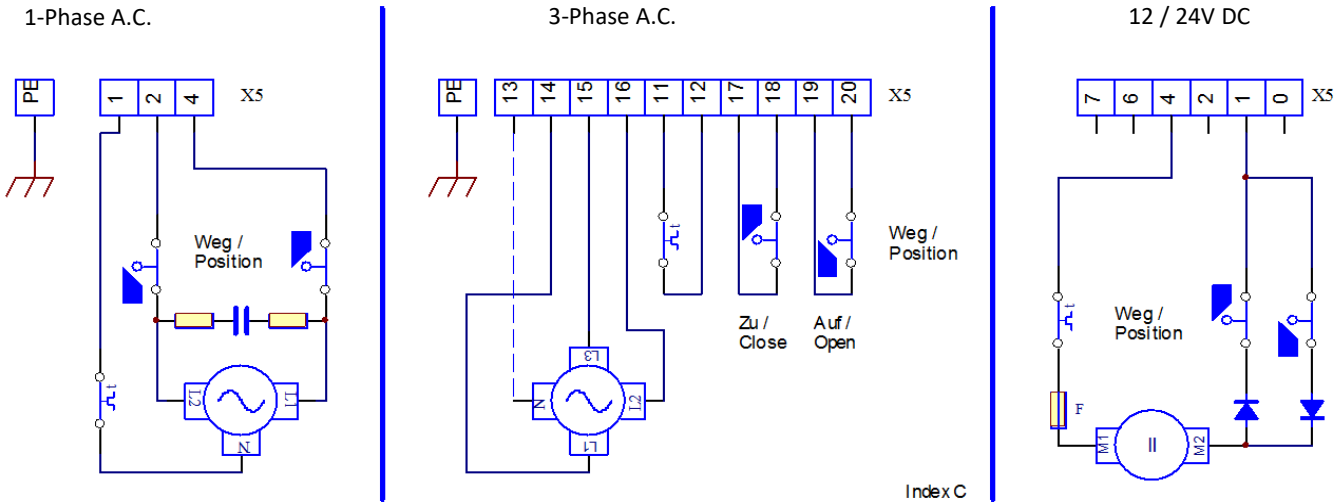
Standard	Description
Conduit entries	2 pcs. M20 x 1,5

**Standard equipment**

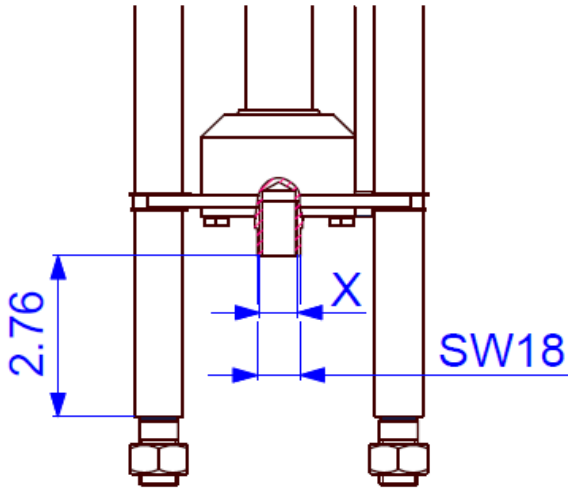
)<sup>1</sup> = permissible average thrust over the entire travel is 50% of the max. thrust

)<sup>2</sup> = at max. thrust

**Wiring Termination**



**Dimensions of the PS-Standard-Adaptation**

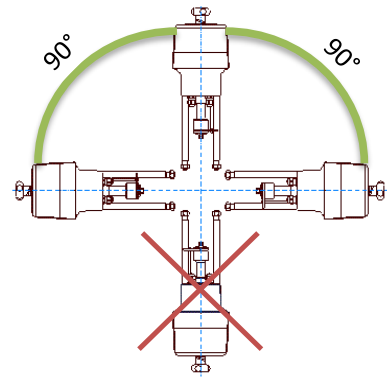


**Connection Thread X**

<b>M8</b>	Optional
<b>M10</b>	Optional
<b>M12</b>	Optional
<b>M14</b>	Optional
<b>M16</b>	<b>Standard</b>

*Fine threaded and other sizes on request!*

**Mounting Position**



<b>Accessories/ Options</b>	<b>Supply Voltage</b>	<b>230 VAC 1~</b>	<b>115 VAC 1~</b>	<b>24 VAC 1~</b>	<b>400 V 3~</b>	<b>24 VDC</b>
	Position Signal Switches 2WE	•	•	•	•	•
	Position Signal Switches Gold	•	•	•	•	•
	Positioner PSAP	•	•	•) <sup>3</sup>	•) <sup>4</sup>	
	Position Transmitter PSPT	•	•	•	•	•
	Space Heating HR	•	•	•	•) <sup>5</sup>	•
	Potentiometer PD	•	•	•	•	•
	Reversing Starter Contactor WSM01				•	
	IP68 Metal Cover IP68	IP68) <sup>6</sup> incl. space heater HR				

**For more information and accessories, please visit our website [www.ps-automation.com](http://www.ps-automation.com)!**

• = available, for further information see respective datasheet

)<sup>3</sup> = PSAP with external relay required

)<sup>4</sup> = only to be used with reversing starter contactor

)<sup>5</sup> = supply voltage 24 V or 115-230 V

)<sup>6</sup> = IP68, no ingress of dust and suitable for continuous immersion in water up to 6 m and 96 h

*Subject to changes!*