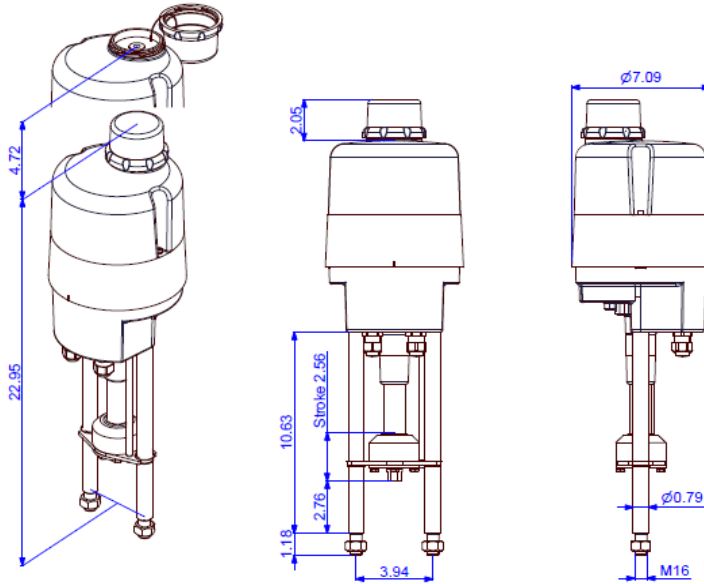


Electric Linear Actuator

PSL214 -40°F
Low Temperature Version



Approx. weight: 17.64 lb without accessories

3147 lbf

Max. Thrust)¹

56.4 Secs/In.

Stroke Speed

2.56 In.

Stroke

Modulating Actuator

Class C

DIN EN ISO 22153

Enclosure IP67

EN 60529

Stroke Speed	56.4 Secs/In. [50 Hz] / 47 Secs/In. [60 Hz]				
Power Supply [V]	230 VAC 1~	115 VAC 1~	24 VAC 1~	400 V 3~	24 VDC
Frequency [Hz]	50 / 60	50 / 60	50 / 60	50 / 60	
Nominal Current [A]	0.24	0.45	2.3	0.13	
max. Current [A]	0.3	0.54	2.8	0.15	
Power Consumption) ² [VA]	55	52	52	30	
Duty Cycle IEC 60034-1	S2 30 min / S4 50% ED @ 77°F				
Ambient Temperature [°F]	-40°F to +140°F				
Overvoltage Category	II				
Motor Protection	Thermo switch				

PSL214

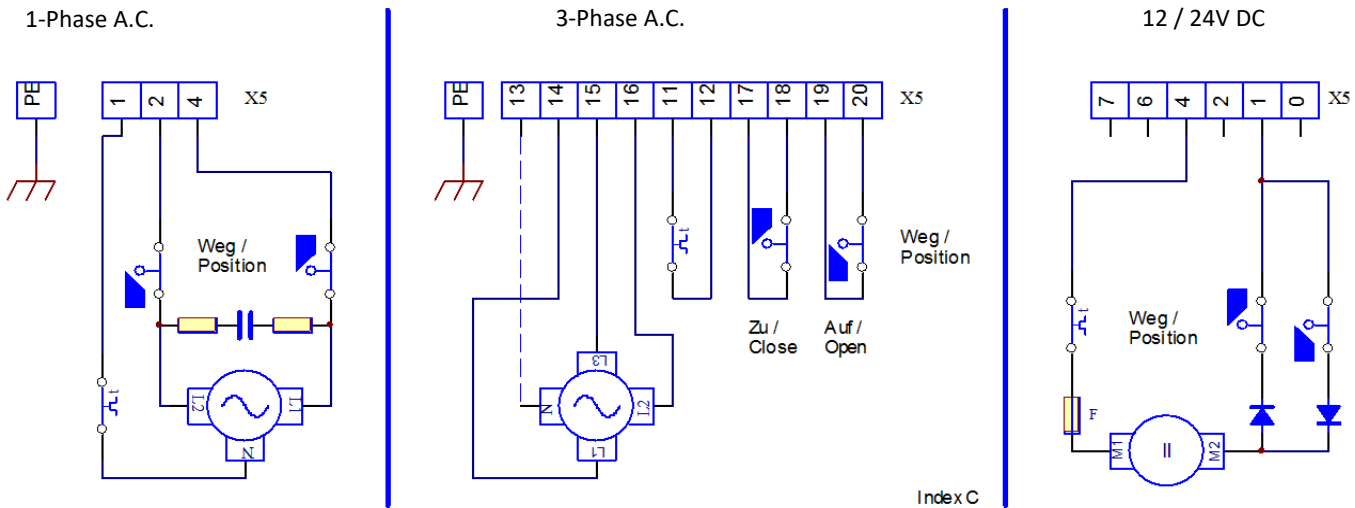
Standard	Description
Conduit entries	2 pcs. M20 x 1,5

Standard equipment

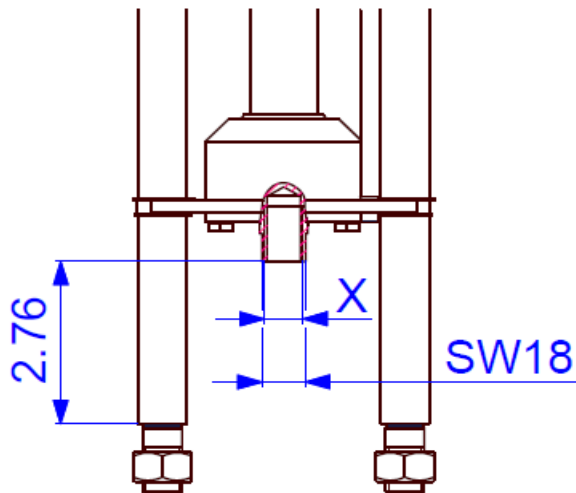
)¹ = permissible average thrust over the entire travel is 50% of the max. thrust

)² = at max. thrust

Wiring Termination



Dimensions of the PS-Standard-Adaptation

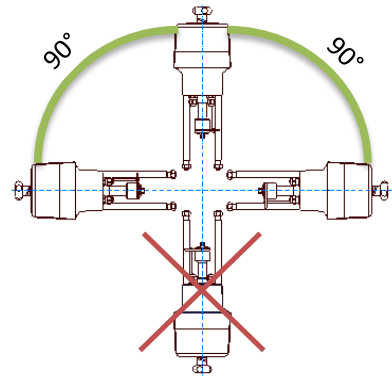


Connection Thread X

M8	Optional
M10	Optional
M12	Optional
M14	Optional
M16	Standard

Fine threaded and other sizes on request!

Mounting Position



Accessories/ Options	Supply Voltage	230 VAC 1~	115 VAC 1~	24 VAC 1~	400 V 3~	24 VDC
	Position Signal Switch: 2WE		•	•	•	•
Position Signal	2WE	•	•	•	•	•
Switches Gold	Gold	•	•	•	•	•
Positioner	PSAP	•	•	•) ³	•) ⁴	
Position Transmitter	PSPT	•	•	•	•	•
Space Heating	HR	•	•	•	•) ⁵	•
Potentiometer	PD	•	•	•	•	•
Reversing Starter					•	
Contactor	WSM01					
IP68 Metal Cover	IP68	IP68) ⁶ incl. space heater HR				

For more information and accessories, please visit our website www.ps-automation.com!

• = available, for further information see respective datasheet

)³ = PSAP with external relay required

)⁴ = only to be used with reversing starter contactor

)⁵ = supply voltage 24 V or 115-230 V

)⁶ = IP68, no ingress of dust and suitable for continuous immersion in water up to 6 m and 72 h

Subject to changes!