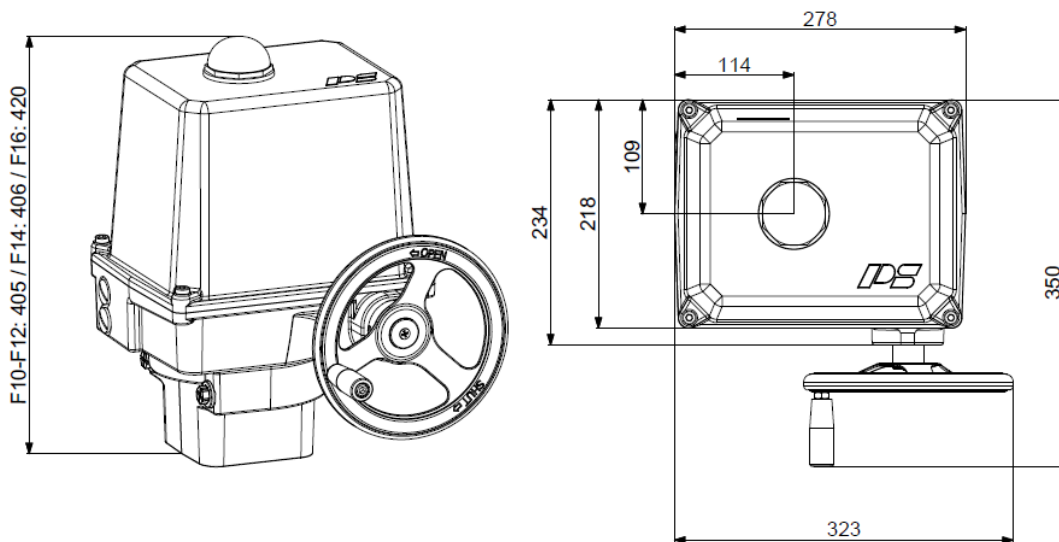


Electric Quarter-Turn Actuator

PSQ703



weight: approx. 27 kg without accessories

700 Nm

Switching torque)¹

120 s

Operating Time/90°

Flange

F10/F12/F14/F16

Modulating Actuator

Class C

acc. EN ISO 22153

Enclosure IP67

EN 60529

Operating Time/90°		120 s
Power Supply	[V]	24 VDC
Normal Current	[A]	2,4
Maximum Current	[A]	8
Power Consumption) ²	[W]	65
Duty Cycle	IEC 60034-1,8	S2 30 min / S4 50% ED - 1200 c/h
Ambient Temperature	[°C]	-20°C to +80°C (S2) / -20°C to +60°C (S4)
Overvoltage Category		II
Motor Protection		Thermo Switch

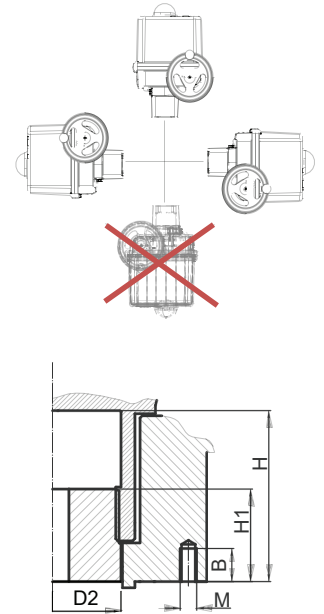
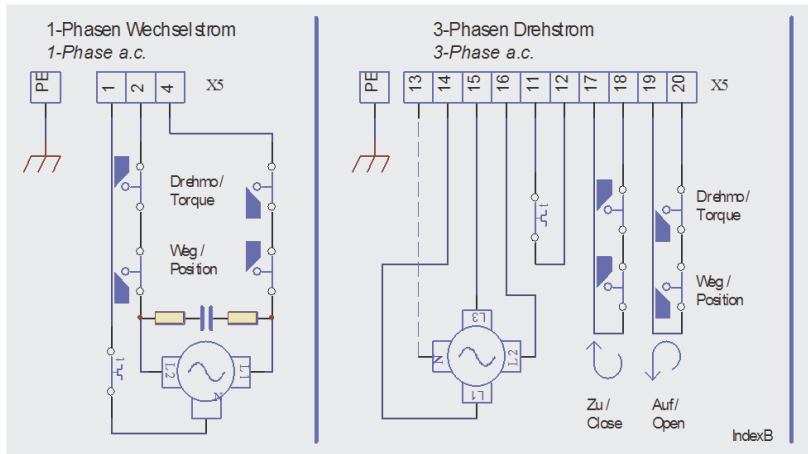
PSQ703
700 Nm

)¹ = Permissible average thrust over the entire travel is 50% of the max. thrust

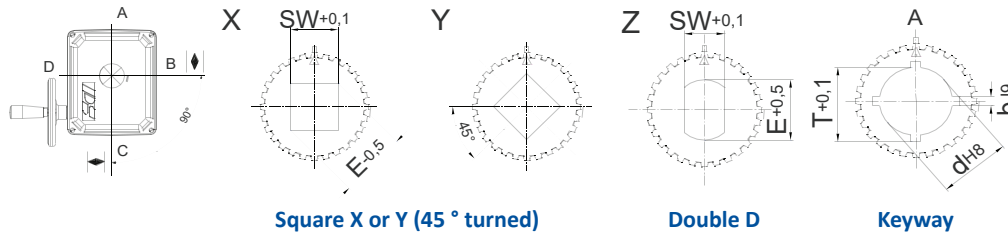
)² = at switching torque

Electrical Connection Plan

Mounting Position



Available Drive Bushes



	F10	F12
D2	66	66
H	80	80
H1	48	48
M	M10	M12
B	18	18

F10 without centring!

Please check the drive bushes datasheet for the available sizes!
Other customized drive bushes on request!

Accessories/ Options	Power Supply	24 VDC	
	Add'l Position Switches	2WE	•
	Add'l Position Switches Gold	2WE Gold	•
	Add'l Torque Switches	2DE	•
	Add'l Torque Switches Gold	2DE Gold	•
	Position Transmitter	PSPT	•
	Heating Resistor	HR	•
	Potentiometer	PD	•
	Increased enclosure	IP	IP68 ³⁾ incl. heating resistor and corrosion protection K2

• available, for further information see respective datasheet
³⁾ = IP68, no ingress of dust and suitable for continuous immersion in water up to 6 m and 96 h

For more information and accessories, please visit our website www.ps-automation.com!

Subject to changes!