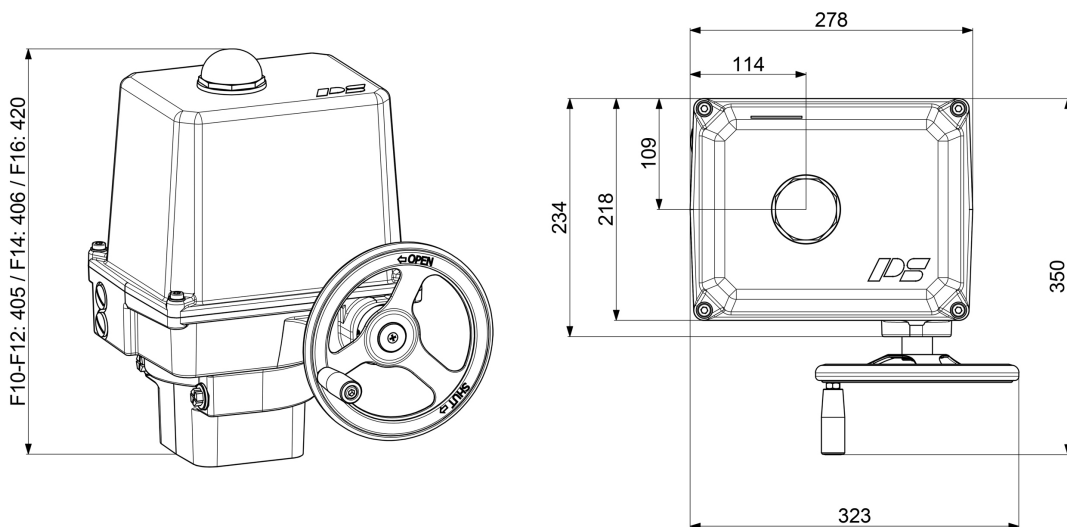


Electric Quarter Turn Actuator

PSQ703 -40°C
Low Temperature Version



Approx. weight: 27 kg without accessories

700 Nm
Switching torque)¹

43 s - 93 s
Operating Time/90°

Flange
F10/F12/F14/F16

Modulating Actuator

Class C
acc. DIN EN ISO 22153

Enclosure IP67
acc. EN 60529

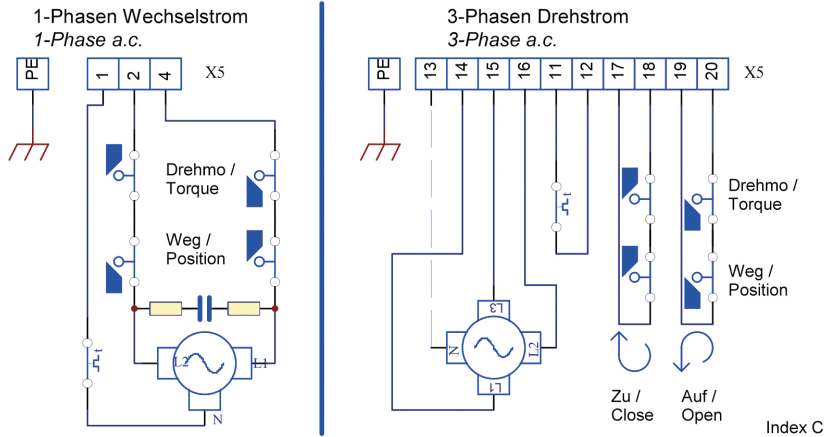
Operating Time/90°		43 s [50 Hz] / 36 s [60 Hz]	PSQ703 700 Nm
Power Supply	[V]	230 VAC 1~	
Frequency	[Hz]	50 / 60	
Normal Current	[A]	0.75	
Maximum Current	[A]	0.98	
Power Consumption) ²	[W]	175	
Duty Cycle	IEC 60034-1,8	S2 30 min / S4 50% dc @ 25°C - 1200 c/h	
Ambient Temperature	[°C]	-40°C to +60°C (S2) / -40°C to +60°C (S4)	
Overvoltage Category		II	
Motor Protection		Thermo Switch) ³	
Operating Time/90°		93 s [50 Hz] / 77 s [60 Hz]	PSQ703 700 Nm
Power Supply	[V]	230 VAC 1~	
Frequency	[Hz]	50 / 60	
Normal Current	[A]	0.37	
Maximum Current	[A]	0.44	
Power Consumption) ²	[W]	83	
Duty Cycle	IEC 60034-1,8	not_found	
Ambient Temperature	[°C]	-40°C to +60°C (S2) / -40°C to +60°C (S4)	
Overvoltage Category		II	
Motor Protection		Thermo Switch) ³	

)¹ = Permissible average thrust over the entire travel is 90° is 50% of the max. thrust

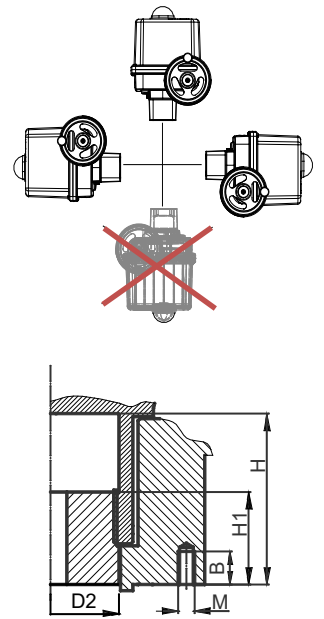
)² = at switching torque and 50 Hz

)³ = Thermo switch must be wired externally at 400 VAC 3~

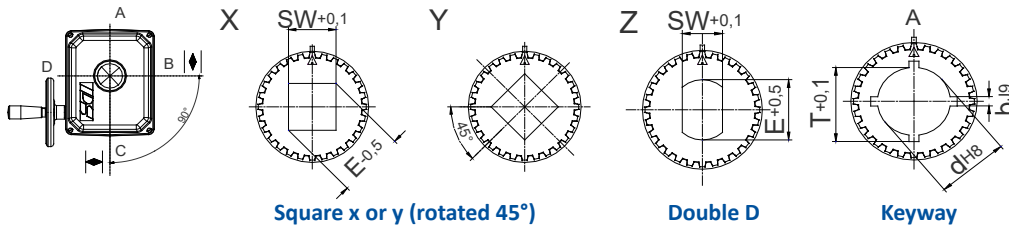
Electrical Connection Plan



Mounting Position



Available Drive Bushes



	F10	F12
D2	66	66
H	80	80
H1	48	48
M	M10	M12
B	18	18

F10 without centering ring!

Please check the drive bushes datasheet for the available sizes!
Other customized drive bushes on request!

Accessories / Options	Power Supply	230 VAC 1~	
	Add'l Position Switches	2WE	•
	Add'l Position Switches Gold	2WE Gold	•
	Additional torque switch	2DE	•
	Add'l Torque Switches Gold	2DE Gold	•
	Positioner	PSAP	•
	Position Transmitter	PSPT	•
	Heating Resistor	HR	•
	Potentiometer	PD	•
	Reversing Starter Contactor	WSM01	
	Increased Enclosure	IP	IP68) ⁴ incl. heating and corrosion protection K2

•• available, for further information see respective datasheet
)⁴ = IP68, no ingress of dust and suitable for continuous immersion in water up to 6 m and 96 h

For more information and accessories, please visit our website www.ps-automation.com!

Subject to changes!